



Selection Guide for CNC Rotary Tables ...



Bluetooth®

pl

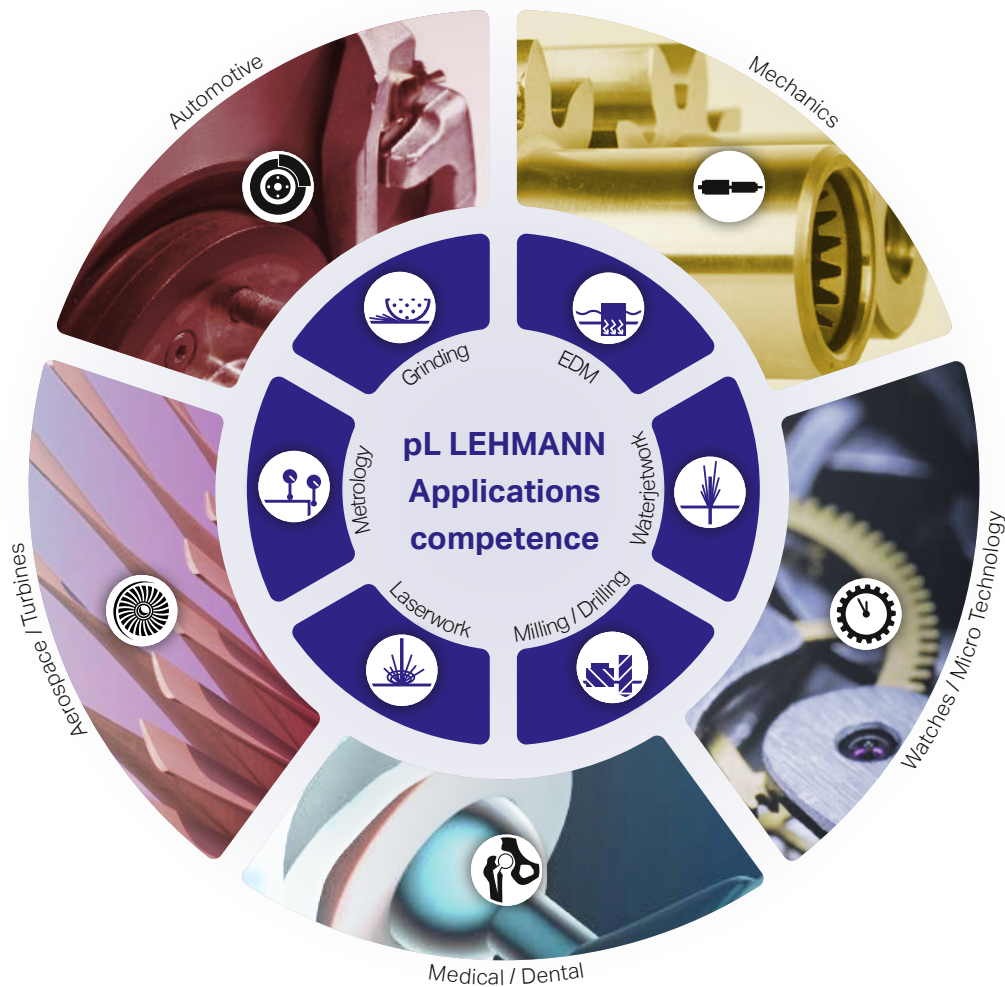
SCHAUBLIN 
MACHINES SA

12/2018 | EN



... for CNC and HSM series

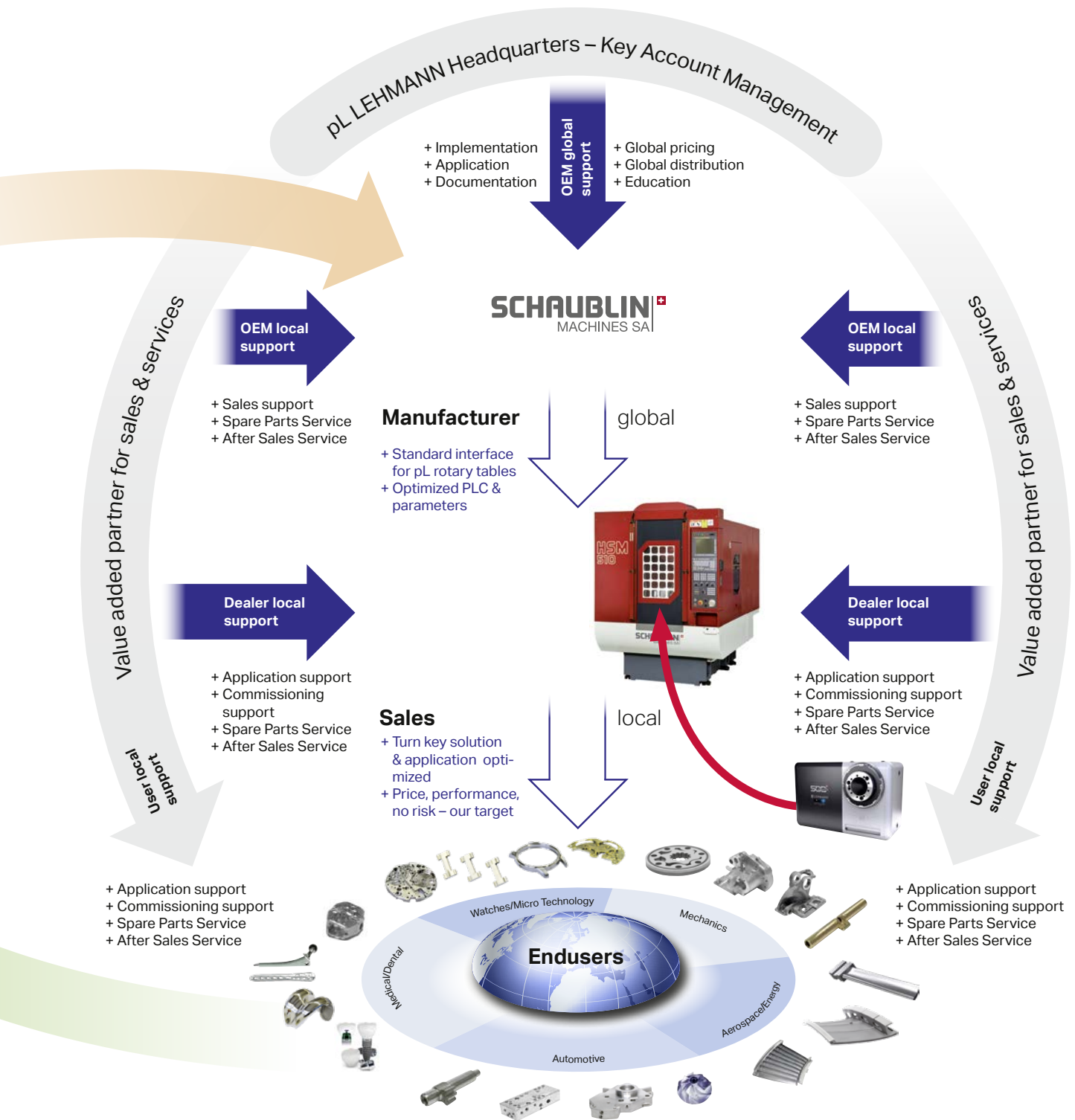
CNC rotary tables for economical manufacturing:
pL LEHMANN has suitable and rational solutions for
nearly every industry



pL rotary tables in use: on over **40** different machine brands
and over **160** different machine models.

pL competence: Integration in **all known** CNC control systems
(Fanuc, Siemens, Heidenhain, Haas, Winmax, Mitsubishi, Brother,
Mazatrol, Okuma ...), for new machines as well as for retrofits

Professional products from professional partners:
 SCHAUBLIN and pL LEHMANN provide
 first-class service to common customers



NEW
up to +30 %

Up to 210 rpm
up to 0.21 sec / 90°

Extended travel in
Z- and X-direction

High spindle load,
heavy-duty bearing

High speed

More space

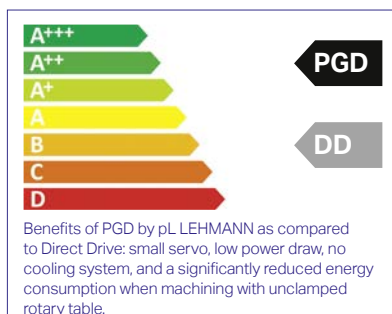
Heavy duty

E-Series



Rotary tables suitable for simultaneous operation!

Save energy



Energy label at the left
An intuitive rating as consumption greatly depends on usage, and without any liability assumed, following the directives on energy labelling

See main catalog for more features

NEW
up to +30 %

High torque

Feed torque up to
850 Nm (provisional)

Adaptability

Multifunctional
spindle HSK

Precision

On the workpiece, as
precise as **2 µm / 100 mm**

NEW
up to +150%

Pneum. clamping
up to 7,000 Nm

High clamp

Large parts
up to \varnothing 500

Big size

PGD backlash-free
long-life gear unit

No backlash



T-Series



**All base plates
made of steel**

NEW

with integrated hole pattern for
slot spacing of 100 and 125 mm,
integrated alignment system
lineFIX for lengthwise or cross-
wise clamping.

M-Series



NEW

Connectivity

Wireless monitoring,
for operation & service

No adjust

Load change without
parameter adjustment

Less cost

No cooling system,
no hydraulics



HSM 510



60-CNC



100-CNC



160-CNC

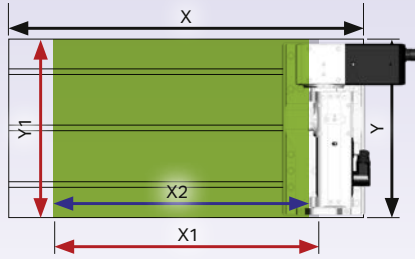
A word from SCHAUBLIN:

«Longlife High Precision

We make it a point of honor to equip our CNC lathes and machining centers with the precision which has always been the special merit of the products of Schaublin Machines SA. For this purpose, we are continuously striving to improve our products by implementing newly developed technologies. The strong point of these machines and of their auxiliary devices is their high precision.

You will easily find customers who are working with machines from Schaublin Machines SA being more than 60 years old and who are still very satisfied with them. And that makes us proud.»

Y-mounting



Rotary table installation using hole pattern in base plate



TIP1



TAP1



TOP1.2

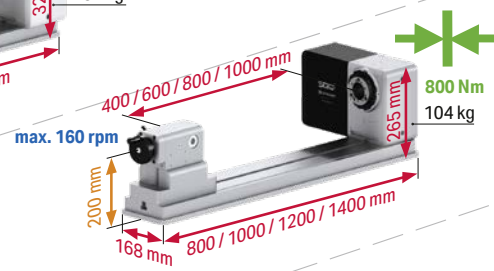
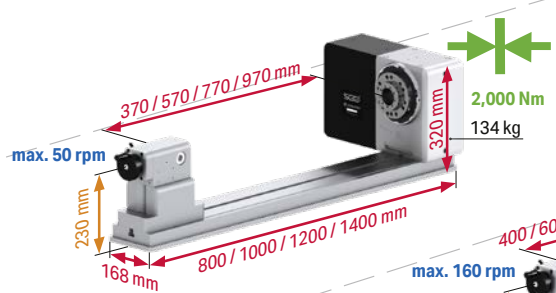
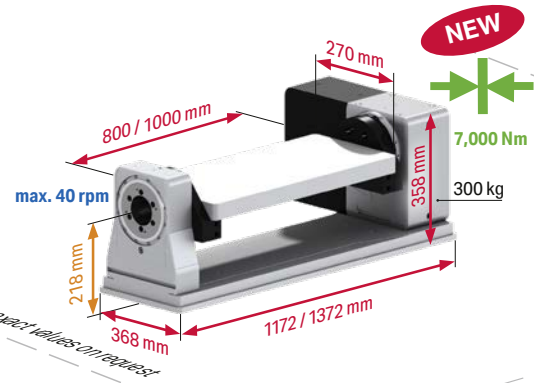
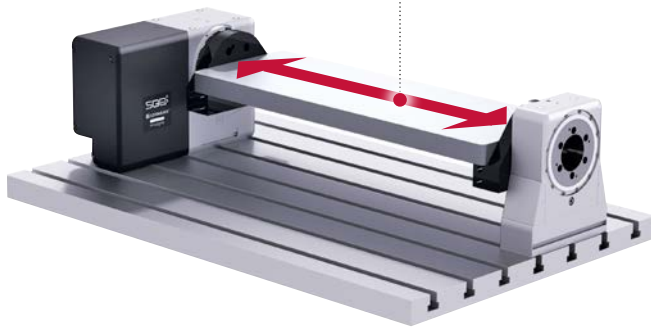
	TIP1c TF-507510 X2	TIP2c TF-510520 X2	TIP3c TF-520530 X2	TAP1c T1-507510 X2	TAP2c T1-510520 X2	TAP3c T1-520530 X2	TAP1 T1-507510 X2	TAP2 T1-510520 X2	TAP3 T1-520530 X2	TOP1 T1-507510 X2
60-CNC	545	501		505			505			
100-CNC	940	896		900			900			
160-CNC	1'520	1'476	1'456	1'480	1'460	1'426	1'480	1'460		1'480
HSM 330										
HSM 510										

	TOP2 T1-510520 X2	TOP3 T1-520530 X2	TAP1c.2 T1-507510 X2	TAP2c.2 T1-510520 X2	TAP3c.2 T1-520530 X2	TAP1.2 T1-507510 X2	TAP2.2 T1-510520 X2	TAP3.2 T1-520530 X2	TOP1.2 T2-507510 X2	TOP2.2 T2-510520 X2	TOP3.2 T2-520530 X2
60-CNC											
100-CNC											
160-CNC	1'460		1'480			1'480			1'480		
HSM 330											
HSM 510											



Very good accessibility, even with short tools

More space for workpieces and fixtures



530

520


51x

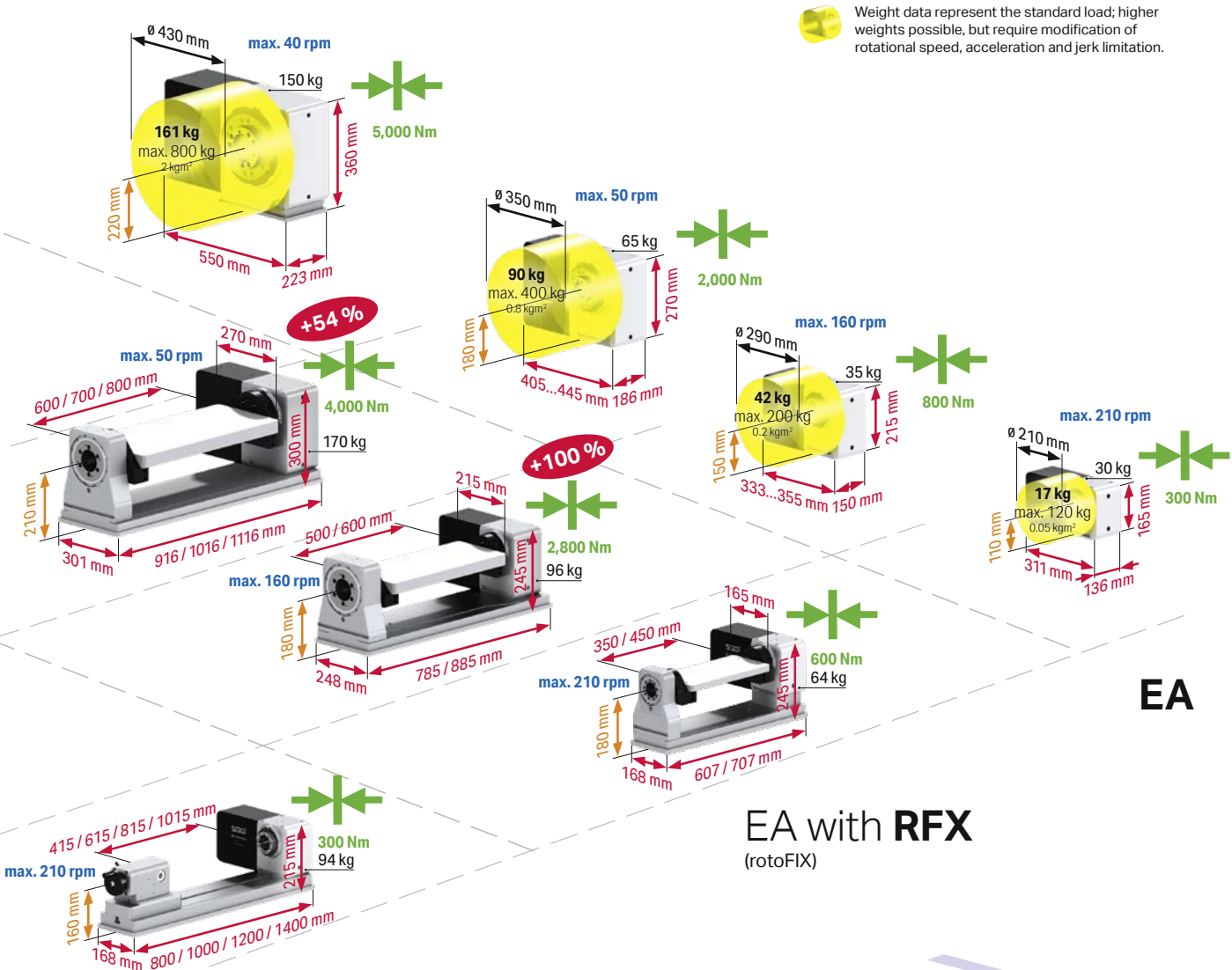
50x

SIZE

News in brief

1. High speed up to 210 rpm
2. Feed torque up to 850 Nm (tentative)
3. Steel base plates with hole pattern (suitable for slot spacing of 100 and 125 mm)
4. Cycle time 90° as fast as 0.21 sec.

 Weight data represent the standard load; higher weights possible, but require modification of rotational speed, acceleration and jerk limitation.

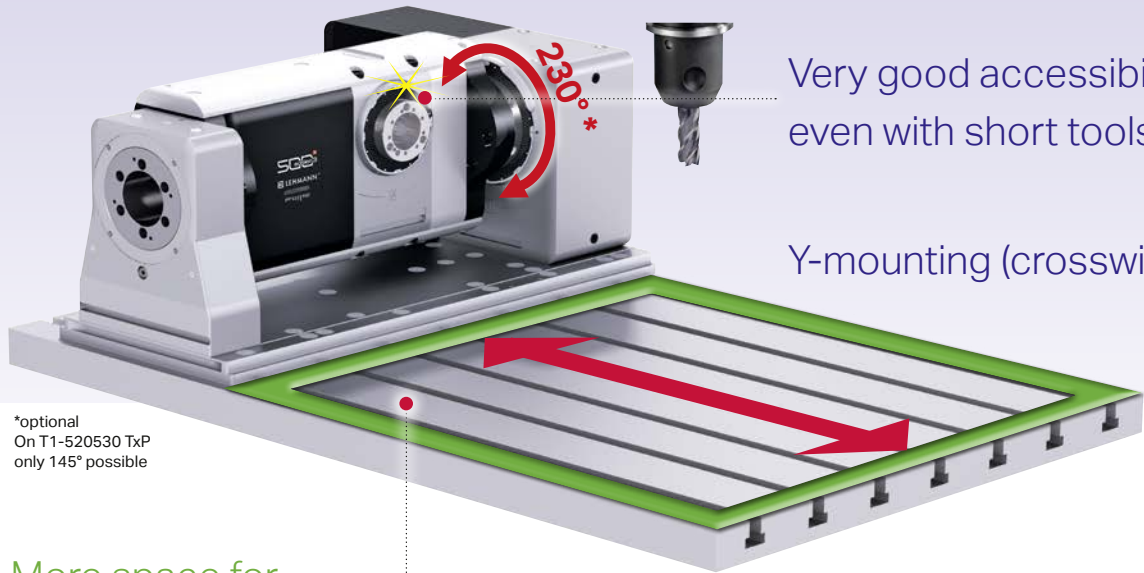


EA with **LFX**
(longFLEX)

EA with **RFX**
(rotoFIX)

MODEL

50x	507 (standard) or 508 (high speed)
51x	510 (standard) or 511 (high speed)
EA	single-axis, single-spindle CNC rotary table
rotoFIX	modular clamping yoke system
longFLEX	modular shaft clamping system

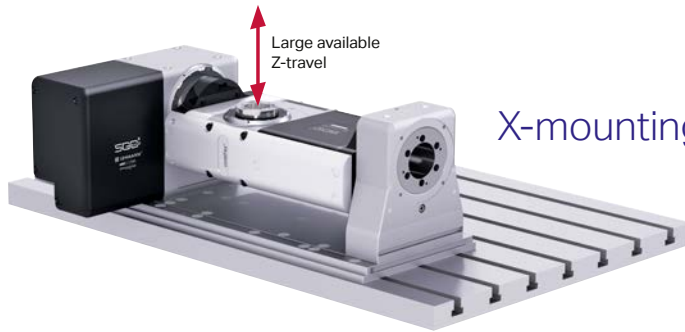


Very good accessibility, even with short tools

Y-mounting (crosswise)

*optional
On T1-520530 TxP
only 145° possible

More space for workpiece and fixtures

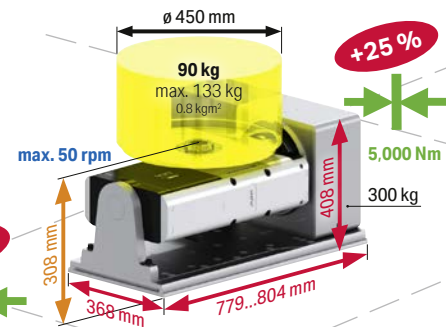


Large available Z-travel

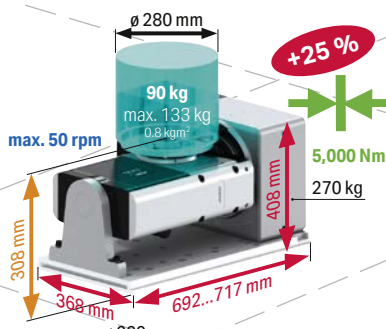
X-mounting (lengthwise)

T1

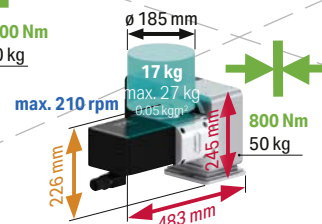
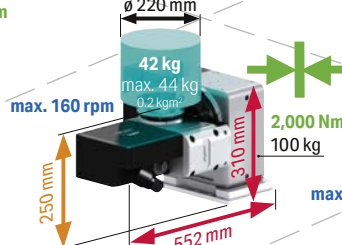
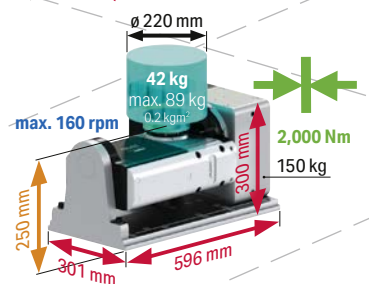
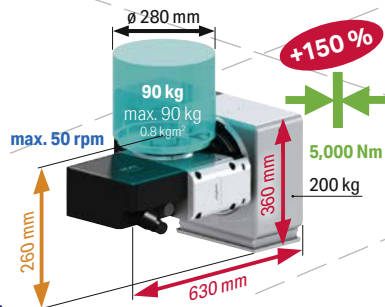
T1



T1



TF

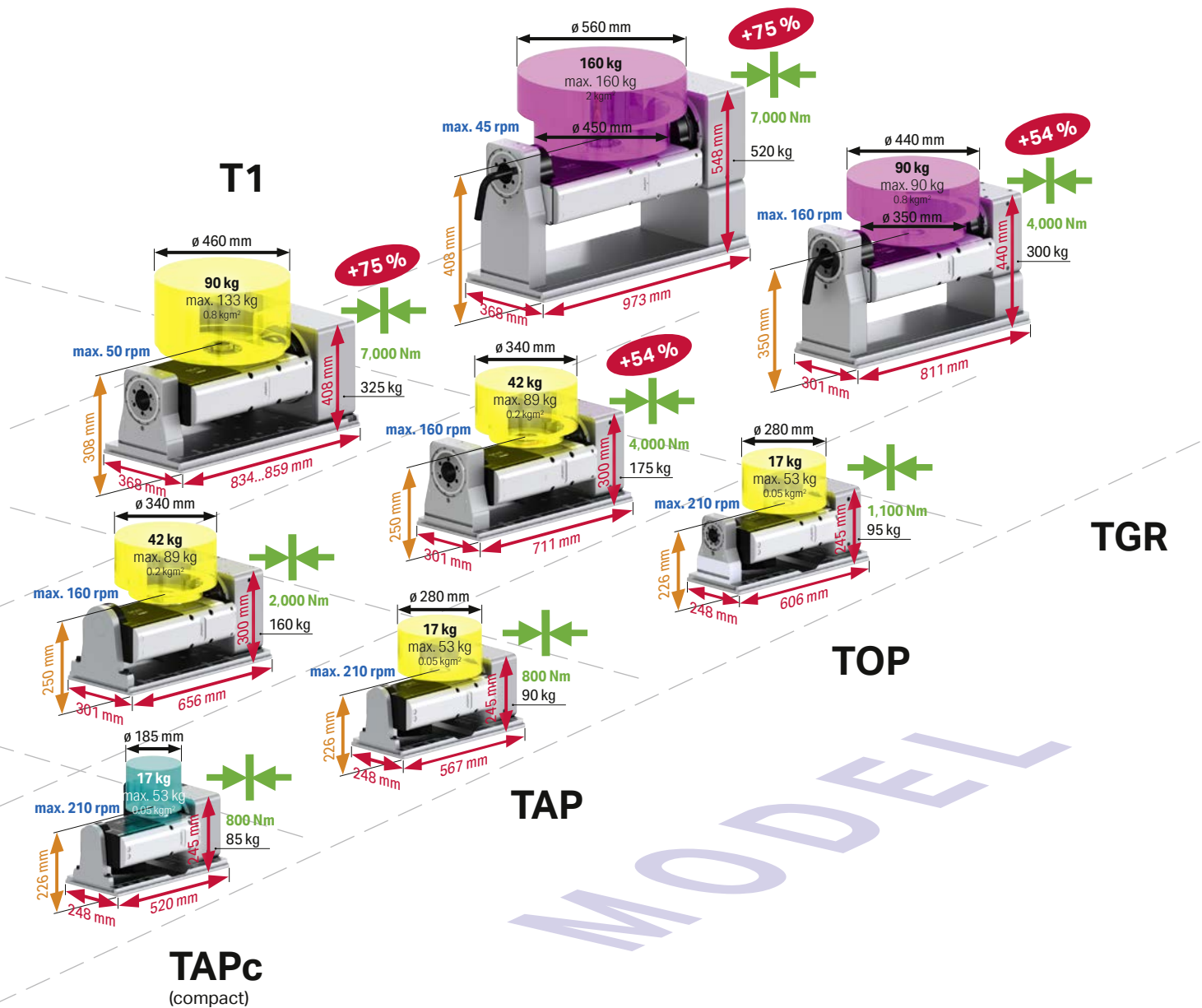


TIPc
(compact)

520530 3
51X520 2
50X510 1
SIZE

News in brief

1. Up to 150% higher clamping torque in tilting axis
2. Fewer variant – more solution
3. Larger workpiece \varnothing possible
4. Spatially optimized arrangement of the dividing axis

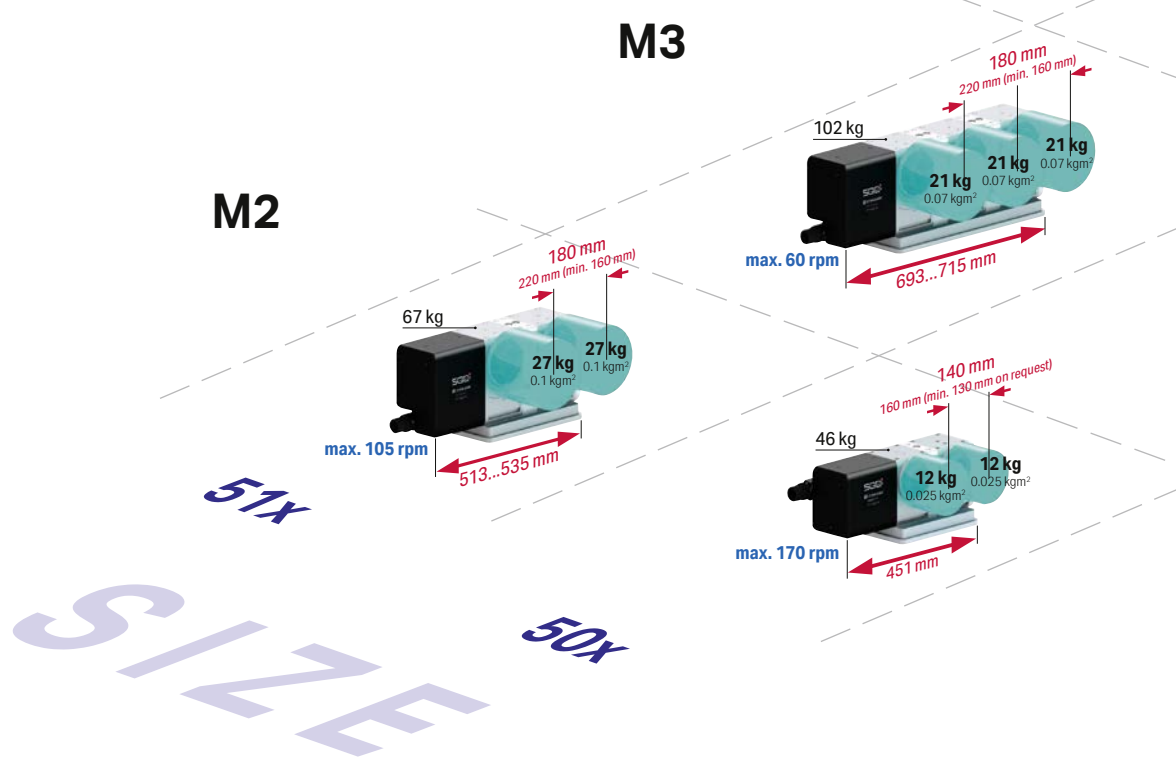


Weight data represent the standard load; higher weights possible, but require modification of rotational speed, acceleration and jerk limitation.

- 50x510 508510 (standard) or 508510 (high speed)
- 51x520 510520 (standard) or 511520 (high speed)
- TIPc Two-axis rotary table, no counter bearing, compact
- TAPc Two-axis rotary table, with supporting bearing, compact
- TAP Two-axis rotary table, with supporting bearing
- TOP Two-axis rotary table, with clamped counter bearing
- TGR Two-axis rotary table, with clamped counter bearing, specifically for grinding applications

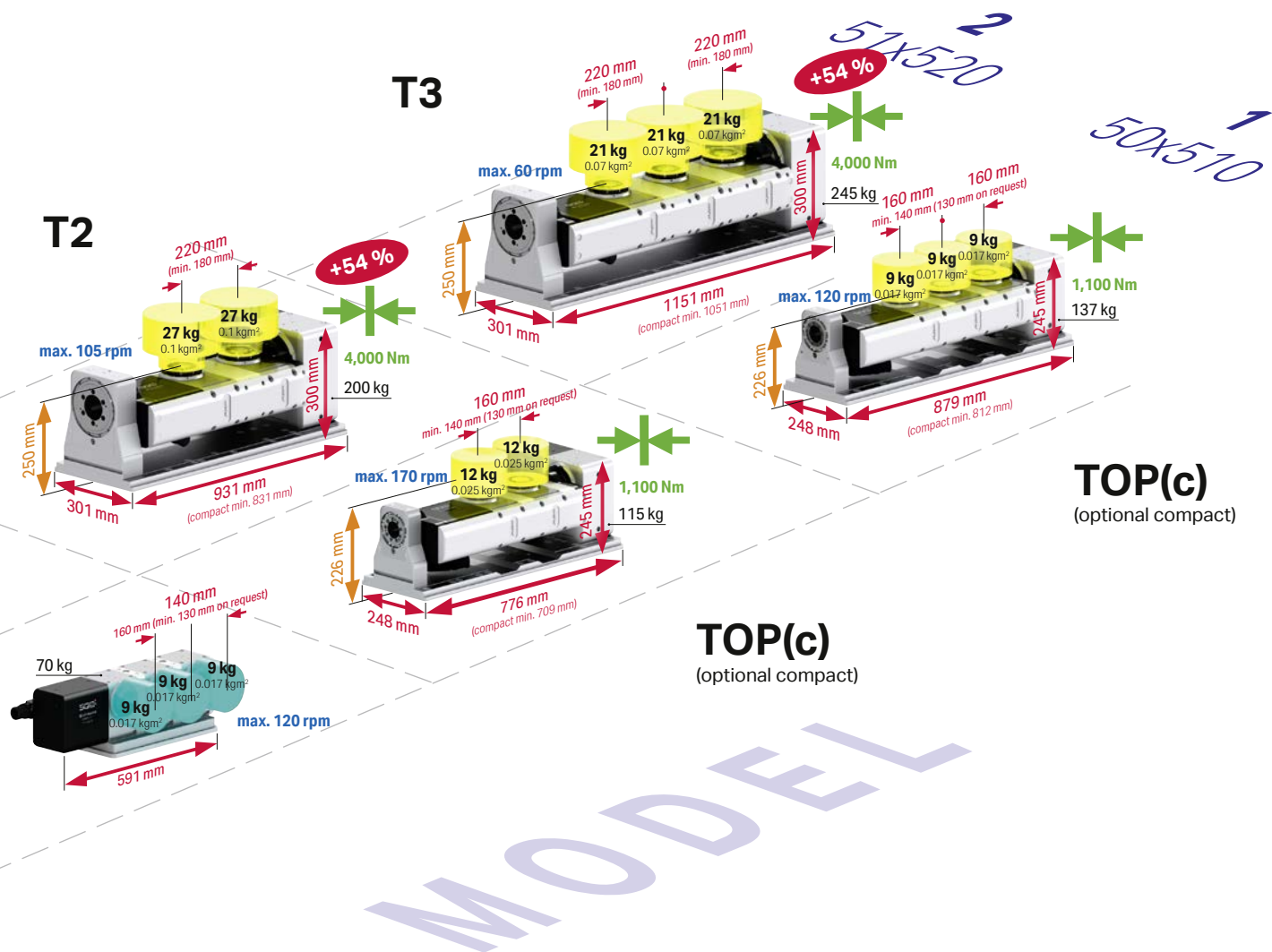


More space for workpiece and fixtures



News in brief

1. Up to **54 %** higher clamping torque in tilting axis
2. Fewer variant – more solution
3. Spindle distance min. **130 mm**
4. Spatially optimized arrangement of the dividing axis



Weight data represent the standard load; higher weights possible, but require modification of rotational speed, acceleration and jerk limitation.

- 50x 507 (standard) or 508 (high speed)
- 51x 510 (standard) or 511 (high speed)
- M2 Single-axis, multi-spindle rotary table, 2-position
- M3 Single-axis, multi-spindle rotary table, 3-position
- T2 Two-axis multi-spindle rotary table, 2-position
- T3 Two-axis multi-spindle rotary table, 3-position

Extremely wide assortment for workpiece clamping.
Standardized interface in front and rear: maximum universality

Spindle accessories in rear

- + Rotary unions **up to 250 bar**
- + Clamping cylinder **23 kN at 120 bar**
- + Angular position measuring systems **as precise as ± 1 arcsec**



Spindle accessories in front



Tailstock and counter bearing



ripas zero point clamping system



EA-507 with ripas auto and ripas adapter

CAPTO clamping (on request)

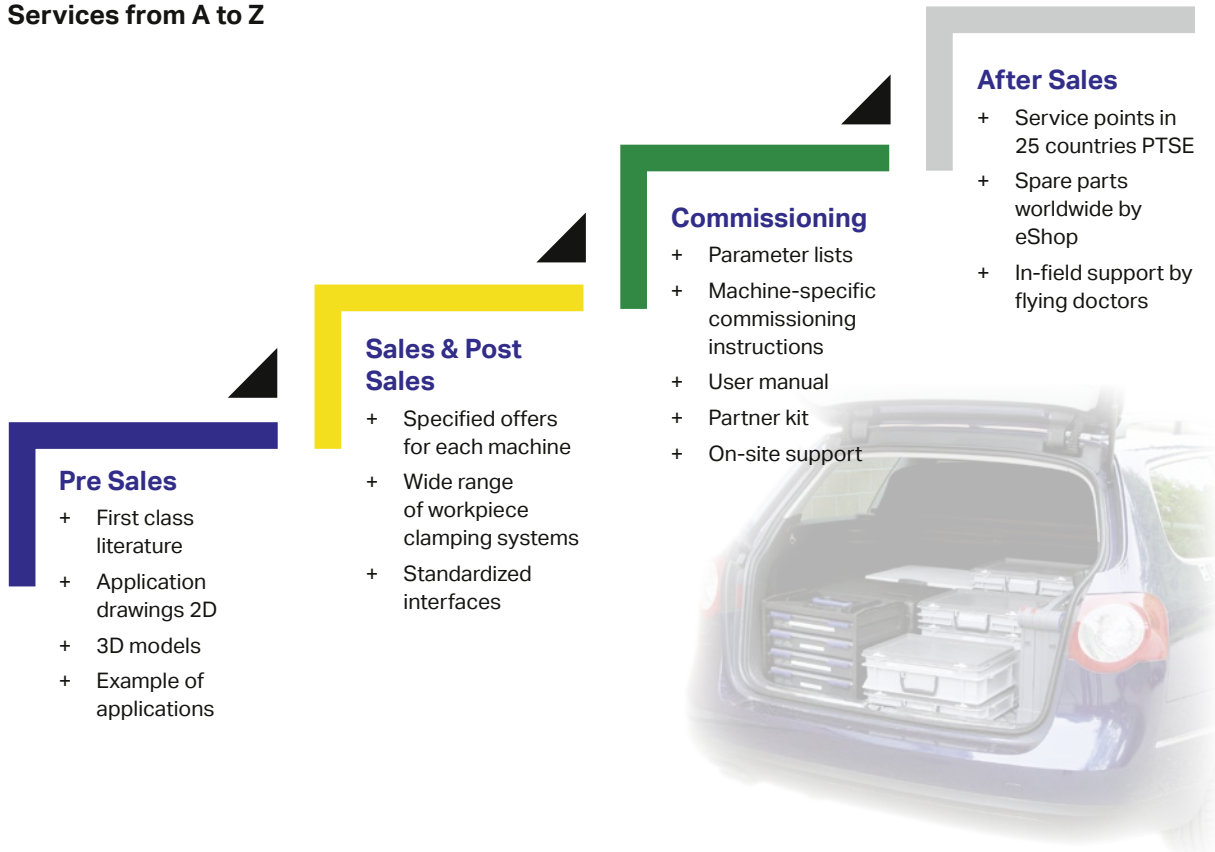


EA-507 with CAPTO retrofit kit

Present in over 20 countries: from sales consultation to the final service

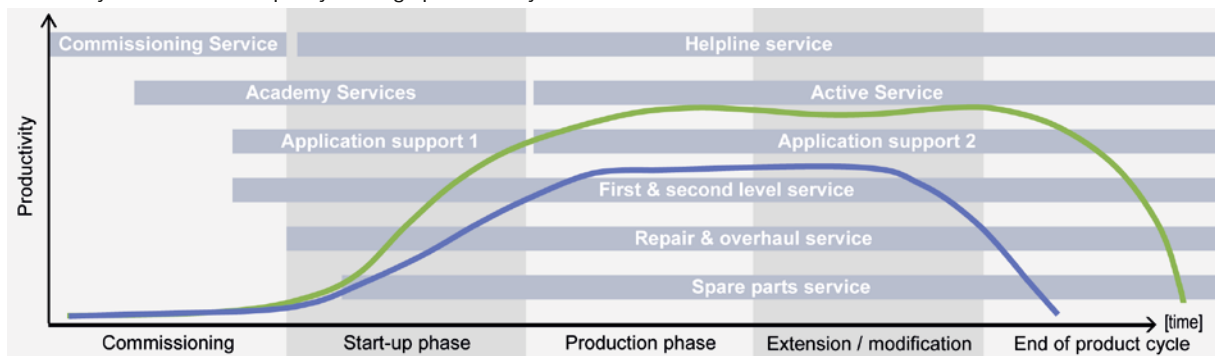


Services from A to Z



Increase productivity – Extend lifecycle

Comprehensive and professional services throughout the product life cycle – maximum availability with consistent quality and high productivity.



— Productivity with LifeCycle service products from pL LEHMANN
 — Productivity without service support

For more information please see www.lehmann-rotary-tables.com.



ROTARY TABLES · PRECISION TECHNOLOGY · SOFTWARE

Headquarters

PETER LEHMANN AG
CH-3552 Bârau
Phone +41 (0)34 409 66 66
Fax +41 (0)34 409 66 00
pls@plehmann.com
www.lehmann-rotary-tables.com

Representatives / Agencies

Europe

- Austria
- Benelux
- Czech Republic (vacant)
- Finland
- France
- Germany
- Hungary (vacant)
- Italy
- Norway
- Poland
- Portugal
- Russia
- Slovenia
- Spain
- Sweden
- Turkey
- UK

America

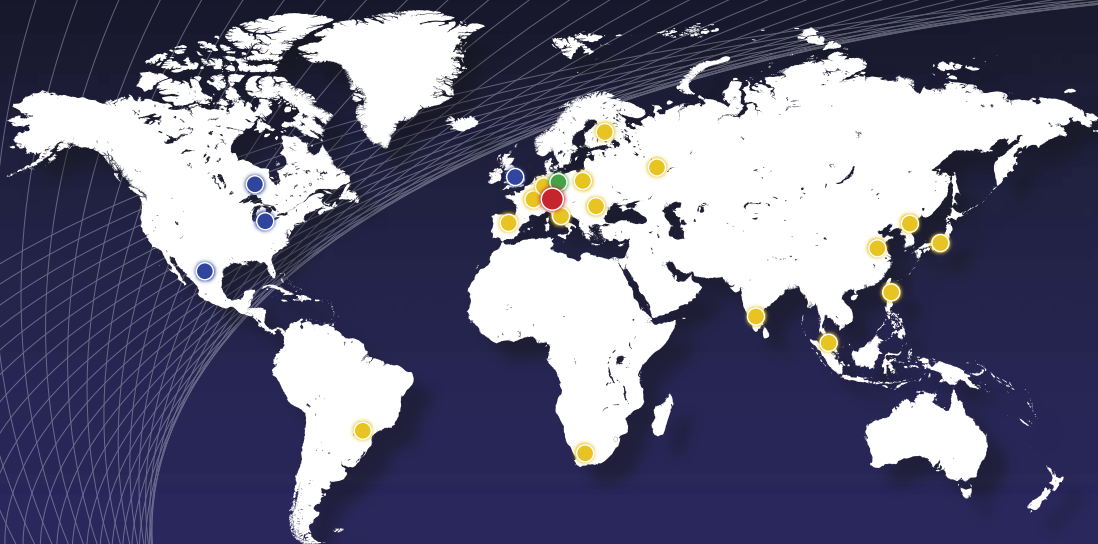
- Brazil
- Canada
- Mexico
- USA

Asia

- China
- India
- Japan
- Malaysia
- Singapore
- South Korea
- Taiwan
- Thailand
- Vietnam

Africa

- South Africa



● Headquarters ● direct sales partner ● pL Solutions® partner ● value added reseller & partner

More information (address, telephone number...) at www.lehmann-rotary-tables.com